

Crystal Cubes™

US patents #6,820,999 and #6,511,208 | Other patents pending.



Crystal Cubes™

US patents #6,820,999 and #6,511,208 | Other patents pending.

Superior craftsmanship unifies a glass enclosure, polished gears and remote control** operation into one elegant fixture.

Revolutionized by technology; lamp speed, dimming and direction are adjusted with ease to allow for dynamic, artistic effects.

The Crystal Cube* is designed for use with all low voltage and line voltage lamps.

As with all Modular International product families, customization is available. Please consult factory.

Mounting Configurations



Wall Mounted



Ceiling Mounted



Pendant Mounted

*FIXTURES ARE ILLUSTRATED WITH GLASS HOUSINGS, NOT CRYSTAL
**FIXTURES REQUIRE THE USE OF A REMOTE WIRELESS CONVERTER TO UTILIZE WIRELESS DEVICE

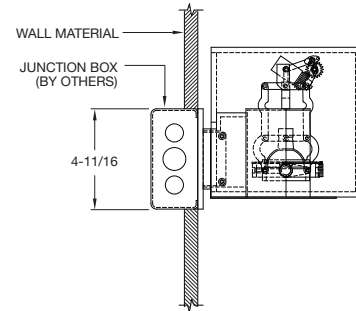
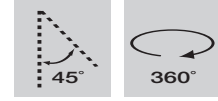
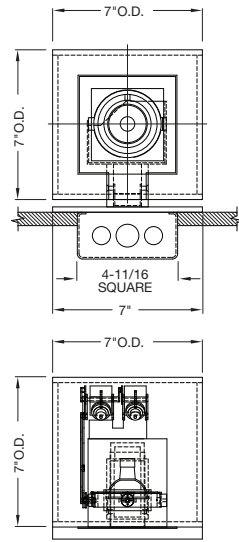
Crystal Cubes™

US patents #6,820,999 and #6,511,208 | Other patents pending.

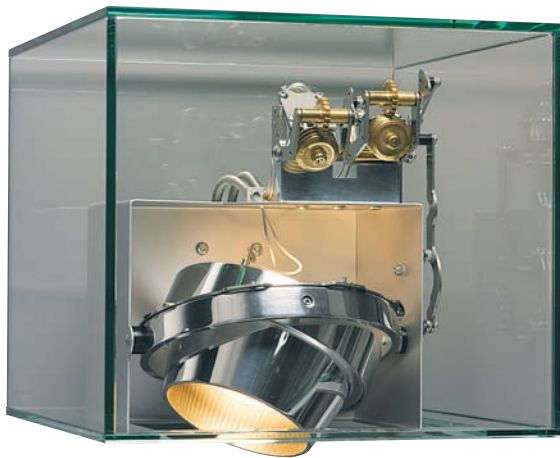
One MR16 Lamp, Wall Mounted



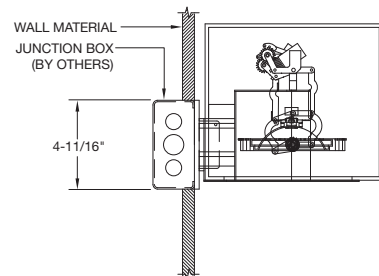
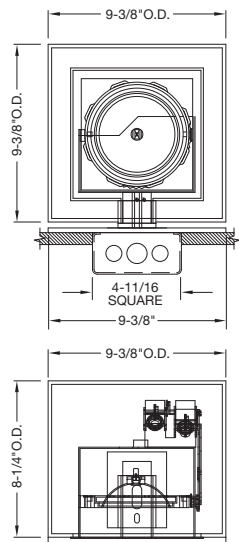
MCR1B-SQ-RT-WM
 REMOTE GEAR REQUIRED
 MOTORIZED MR16 LAMP & GIMBAL RING w/SHIELDING
 FILTER MEDIA SYSTEM



One AR111 Lamp, Wall Mounted



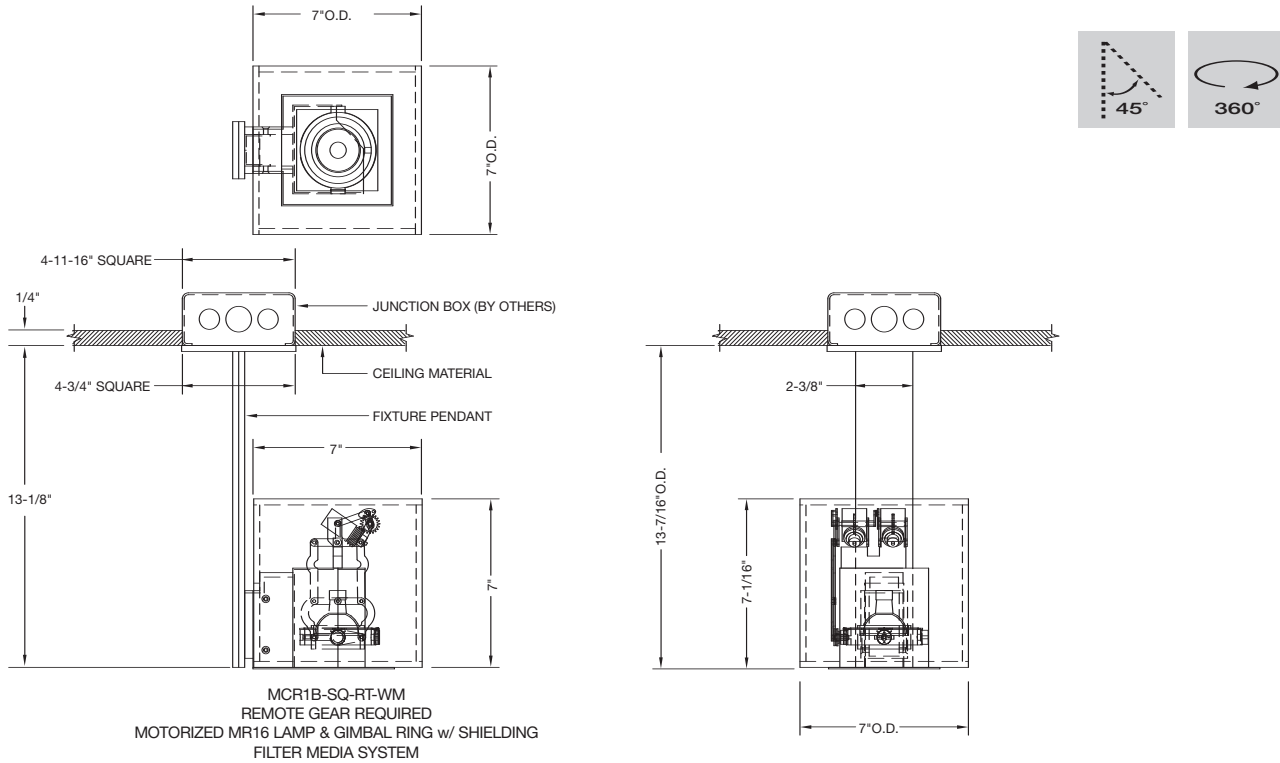
MCR1D-SQ-RT-WM
 REMOTE GEAR REQUIRED
 MOTORIZED AR111 LAMP & GIMBAL RING w/SHIELDING
 FILTER MEDIA SYSTEM



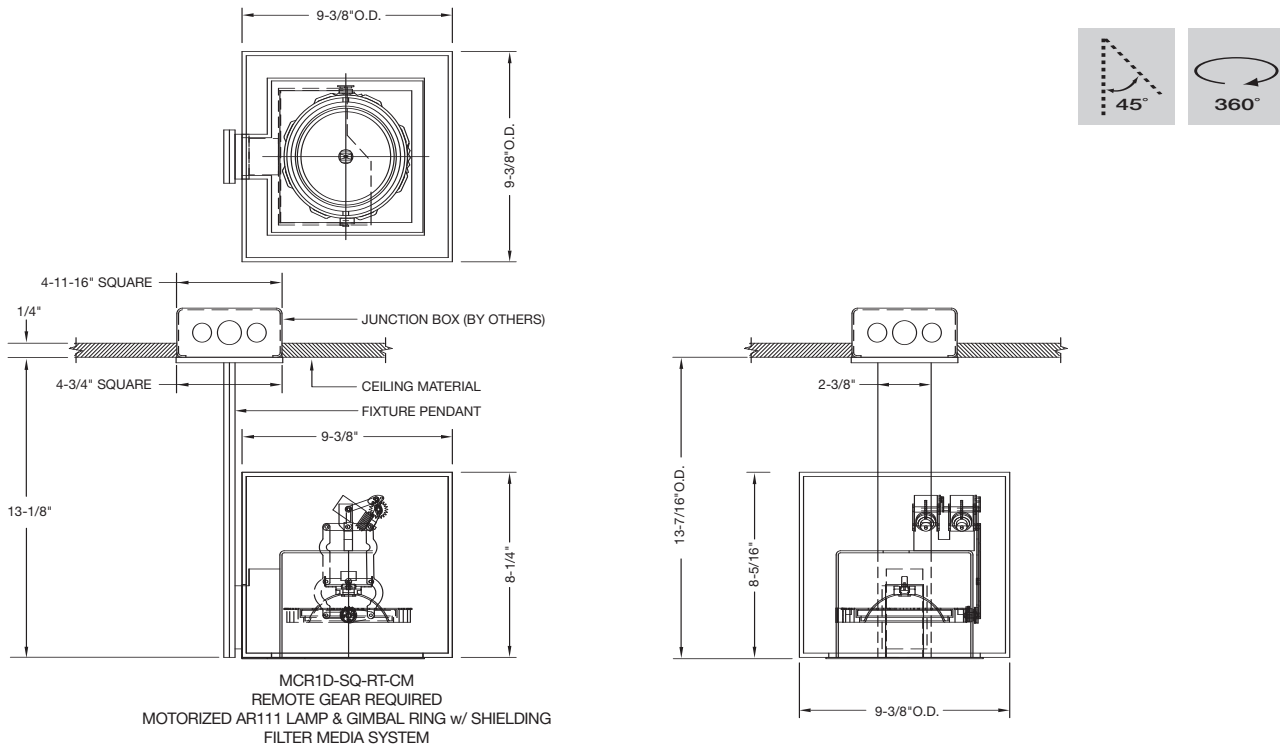
Crystal Cubes™

US patents #6,820,999 and #6,511,208 | Other patents pending.

One MR16 Lamp, Ceiling Mounted



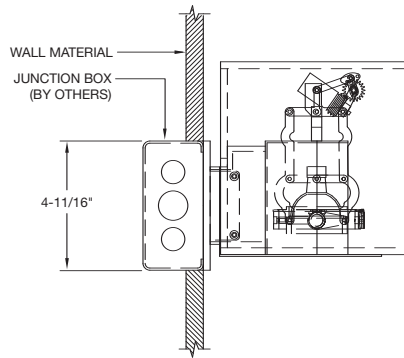
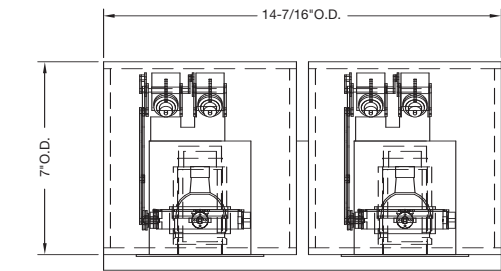
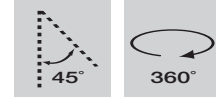
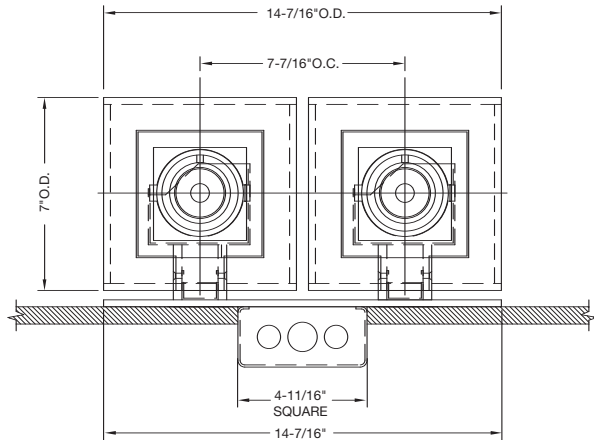
One AR111 Lamp, Ceiling Mounted



Crystal Cubes™

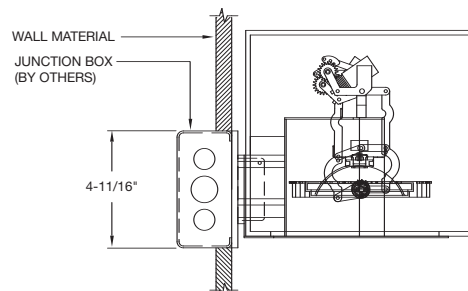
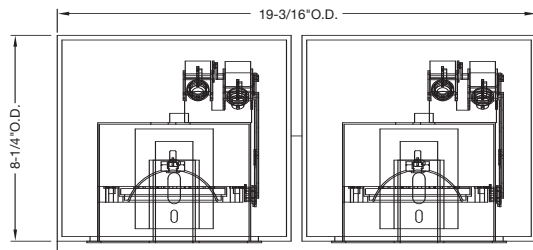
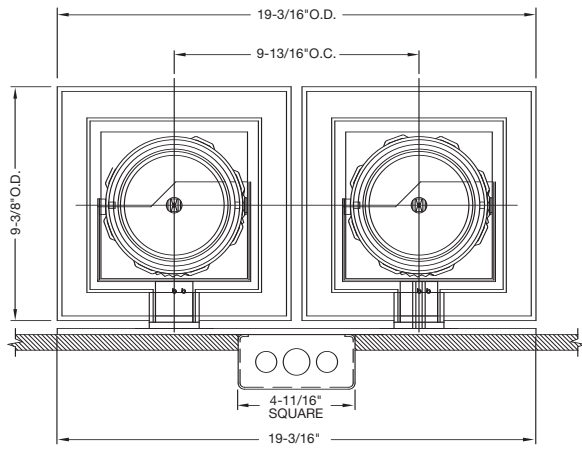
US patents #6,820,999 and #6,511,208 | Other patents pending.

Two MR16 Lamps, Wall Mounted



MCR2B-SQ-RT-WM
REMOTE GEAR REQUIRED
MOTORIZED MR16 LAMP & GIMBAL RING w/ SHIELDING
FILTER MEDIA SYSTEM (2) REQUIRED.

Two AR111 Lamps, Wall Mounted

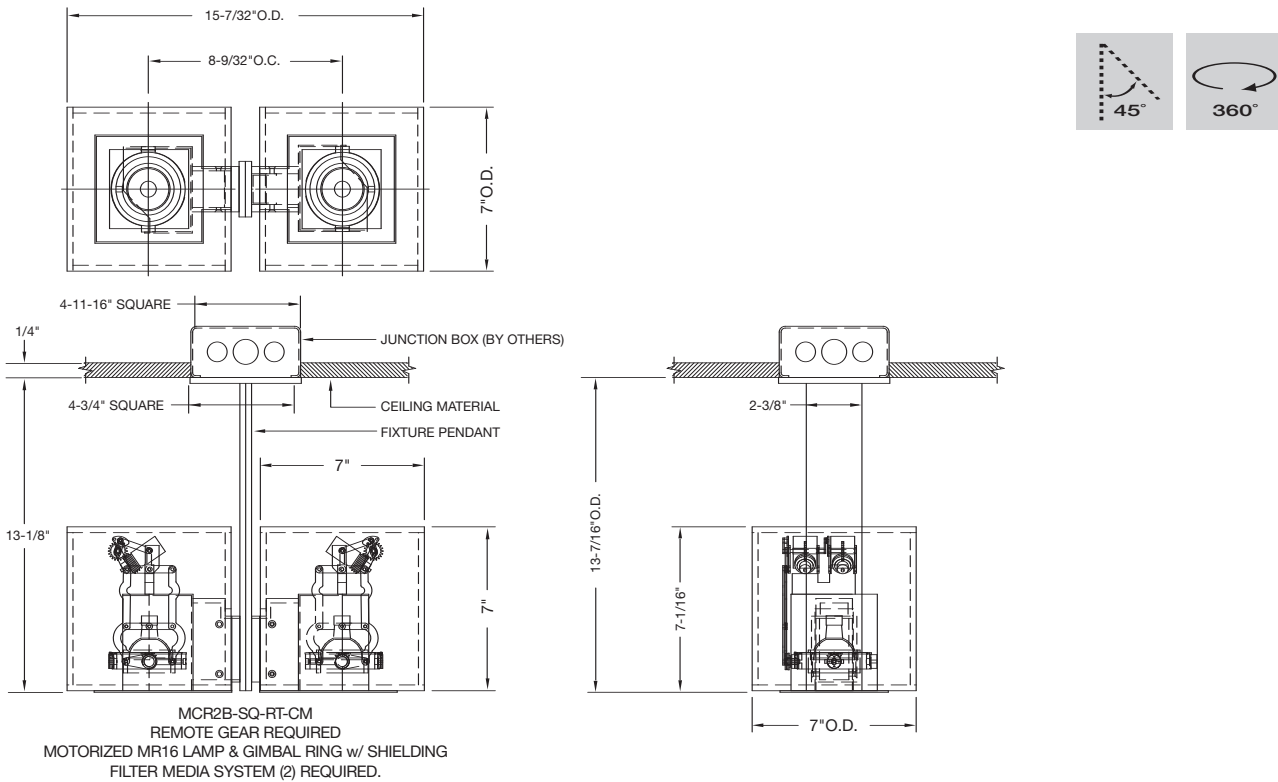


MCR2D-SQ-RT-WM
REMOTE GEAR REQUIRED
MOTORIZED AR111 LAMP & GIMBAL RING w/ SHIELDING
FILTER MEDIA SYSTEM (2) REQUIRED.

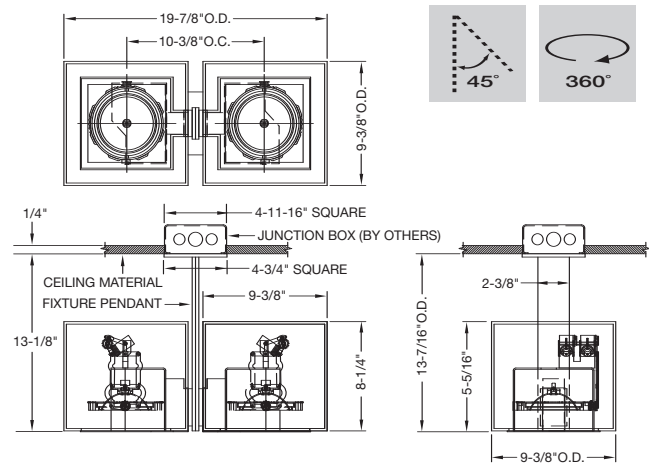
Crystal Cubes™

US patents #6,820,999 and #6,511,208 | Other patents pending.

Two MR16 Lamps, Ceiling Mounted



Two AR111 Lamps, Ceiling Mounted

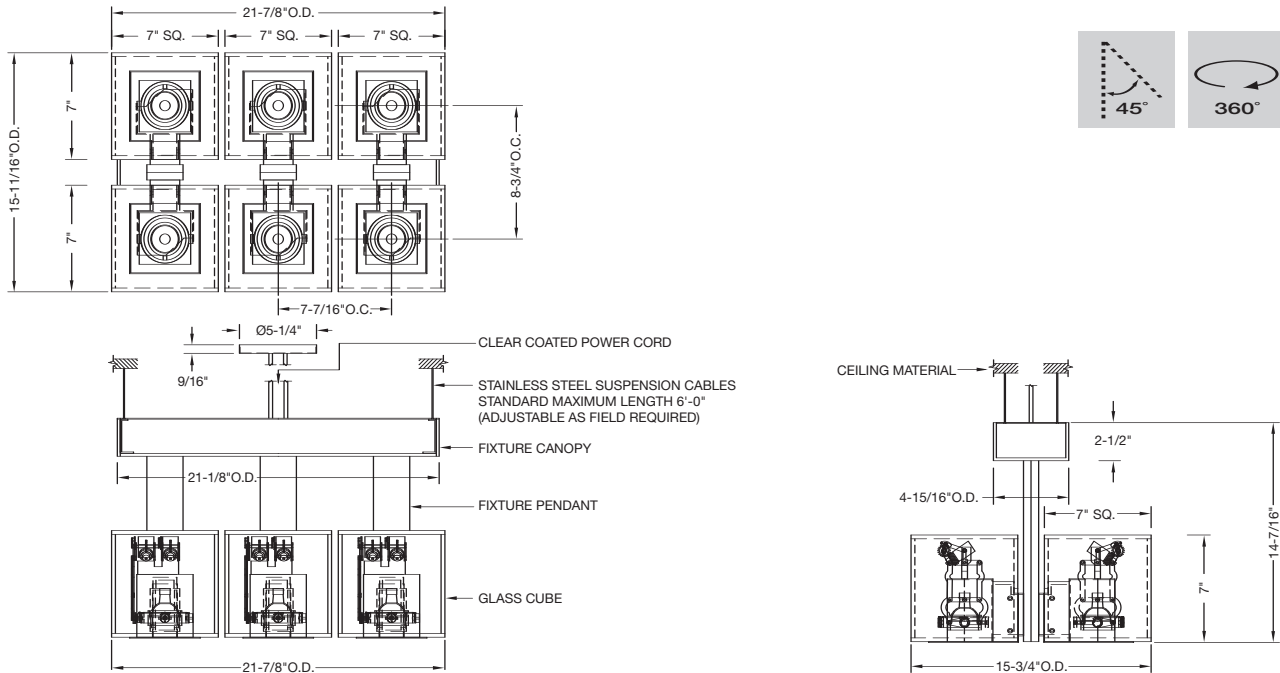


MCR2D-SQ-RT-CM
REMOTE GEAR REQUIRED
MOTORIZED AR111 LAMP & GIMBAL RING w/ SHIELDING
FILTER MEDIA SYSTEM (2) REQUIRED.

Crystal Cubes™

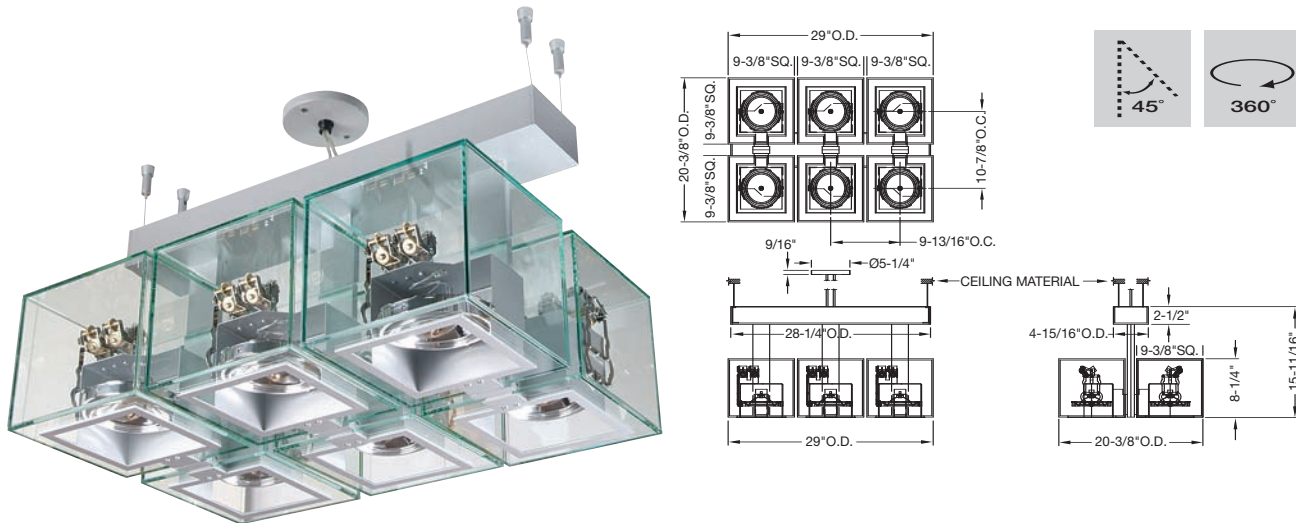
US patents #6,820,999 and #6,511,208 | Other patents pending.

Six MR16 Lamps, Pendant Mounted



MCR6B-SQ-TI-PM
 ELECTRONIC GEAR INCORPORATED
 WIRELESS CONVERTER IN REMOTE LOCATION
 MOTORIZED MR16 LAMP & GIMBAL RING w/ SHIELDING
 FILTER MEDIA SYSTEM (6) REQUIRED.

Six AR111 Lamps, Pendant Mounted

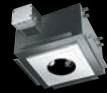


MCR6D-SQ-TI-PM
 ELECTRONIC GEAR INCORPORATED
 WIRELESS CONVERTOR IN REMOTE LOCATION
 MOTORIZED AR111 LAMP & GIMBAL RING w/ SHIELDING
 FILTER MEDIA SYSTEM (6) REQUIRED.

Also available:



Low Voltage Halogen (TI) (TA) (RT)



Single Aperture - Multiple Lamps



PAR - Primary Voltage (PV)



Stainless Steel



HID - (Metal Halide) (PV)



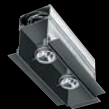
Companion Series - Surface Mounted



Mixed Lamp Sources



Apertures® (patented)



Linears™ (patented)



Uplights



Trimless (TI) (TA) (RT)



Custom - Special



Baffles



Accessories

Modular International Inc.
3941 California Avenue
Pittsburgh, PA 15212
412 734-9000
412 734-5210 fax
www.modularinternational.com

Modular International, Inc. produced a major portion of the lighting for the project shown on the enclosed photographs. The photographs, however, are not intended to imply that the various owners of the projects endorse our products or use our products exclusively.

Modular reserves the right to alter material, dimensions and characteristics without prior notice.