

Modular Multiples®

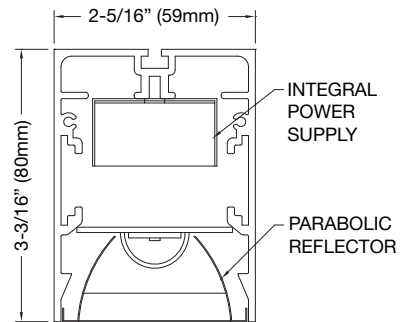
Linears®

U59 HO PL: LED Surface Profiles



Description: Aluminum extruded linear profile, white, black or aluminum powder coated finish, with parabolic louver. Non-dimming driver standard (consult factory for dimmable driver options) Available in 2700k, 3000k or 4000k

- Technical Data:**
- Application: Ceiling, wall, pendant or cable mounted
 - Dimensions: length x 2-3/8" (59mm) x 3-5/32" (80mm)
 - Power: 110-240v
 - Lifetime L70: ~58,000 hours
 - Finish: Powder coat -W (white), -B (black), -A (aluminum) standard (custom colors available, consult factory)



Availability:

PROFILE WITH PARABOLIC LOUVER

Model #	Length	Color Temp	Wattage	Lumen	Lumen/Watt	CRI
#MODLSP-U59-HO-PL-27-1685- x	5'6" (1685mm)	2700°K	73w	8340 lm	131 lm/w	80+
#MODLSP-U59-HO-PL-27-1404- x	4'7" (1404mm)	2700°K	61w	6950 lm	131 lm/w	80+
#MODLSP-U59-HO-PL-27-1123- x	3'8" (1123mm)	2700°K	49w	5560 lm	131 lm/w	80+
#MODLSP-U59-HO-PL-27-0842- x	2'9" (842mm)	2700°K	37w	4170 lm	131 lm/w	80+
#MODLSP-U59-HO-PL-27-0562- x	1'10" (562mm)	2700°K	25w	2780 lm	131 lm/w	80+
#MODLSP-U59-HO-PL-30-1685- x	5'6" (1685mm)	3000°K	86w	8910 lm	135 lm/w	80+
#MODLSP-U59-HO-PL-30-1404- x	4'7" (1404mm)	3000°K	71w	7425 lm	135 lm/w	80+
#MODLSP-U59-HO-PL-30-1123- x	3'8" (1123mm)	3000°K	57w	5940 lm	135 lm/w	80+
#MODLSP-U59-HO-PL-30-0842- x	2'9" (842mm)	3000°K	43w	4455 lm	135 lm/w	80+
#MODLSP-U59-HO-PL-30-0562- x	1'10" (562mm)	3000°K	29w	2970 lm	135 lm/w	80+
#MODLSP-U59-HO-PL-40-1685- x	5'6" (1685mm)	4000°K	86w	9720 lm	140 lm/w	80+
#MODLSP-U59-HO-PL-40-1404- x	4'7" (1404mm)	4000°K	71w	8100 lm	140 lm/w	80+
#MODLSP-U59-HO-PL-40-1123- x	3'8" (1123mm)	4000°K	57w	6480 lm	140 lm/w	80+
#MODLSP-U59-HO-PL-40-0842- x	2'9" (842mm)	4000°K	43w	4860 lm	140 lm/w	80+
#MODLSP-U59-HO-PL-40-0562- x	1'10" (562mm)	4000°K	29w	3240 lm	140 lm/w	80+

Options:

90° CORNER	#MODLSP-U59-HO-PL-90
180° STRAIGHT CONNECTOR	#MODLSP-U59-HO-PL-180
SUSPENSION CABLE 5' (1.6M)	#MODLSP-U59-HO-PL-CABLE1.6
SUSPENSION CABLE 20' (6.0M)	#MODLSP-U59-HO-PL-CABLE6.0