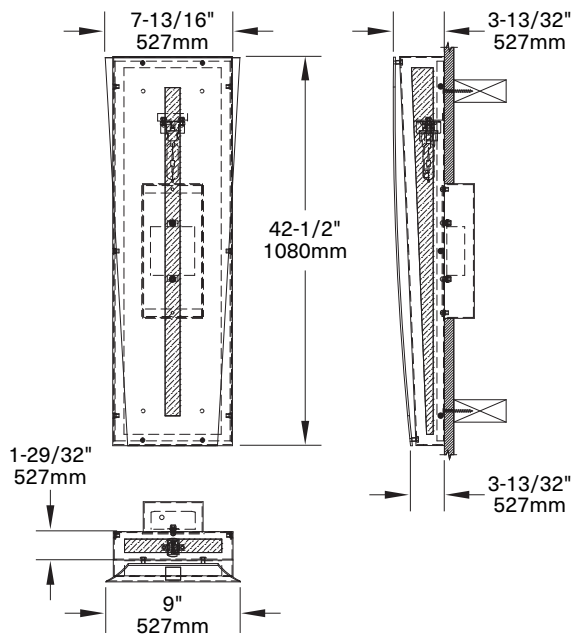


Modular International, Inc.

Point Park University - Pittsburgh, PA

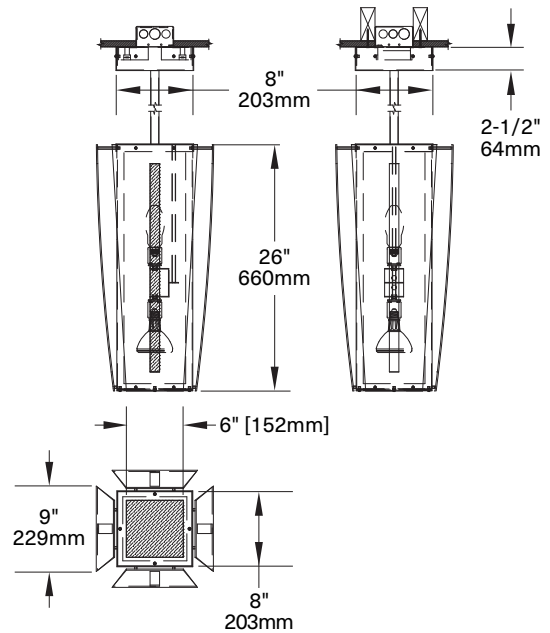


Sconce



316 marine grade, 14-gauge stainless steel panel with #4 brushed finish. 39 watt CDM-T lamp with opal acrylic lens for ambient lighting and integral electronic ballast.

Pendant



316 marine grade, 14-gauge stainless steel housing with #4 brushed finish. Slots in top plate for uplighting. One 35 watt ED17 lamp with opal acrylic lens for ambient lighting and one PAR30 LED lamp for downlighting.