

# Modular Multiples®

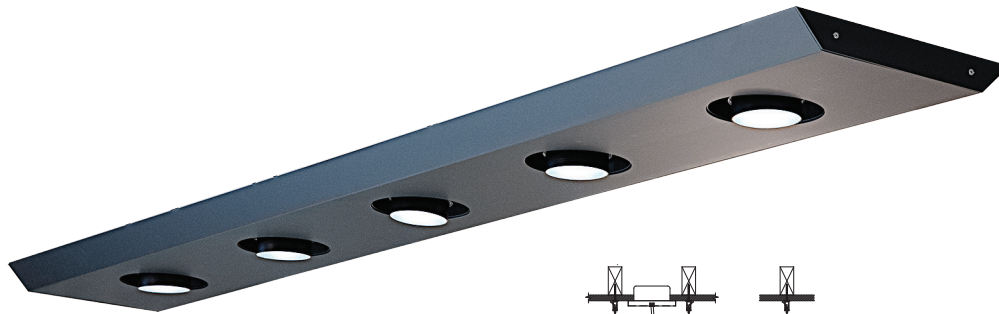
The Original Multiple Lamp Family of Fixtures

## Linears®

Pendant - New/Old Work

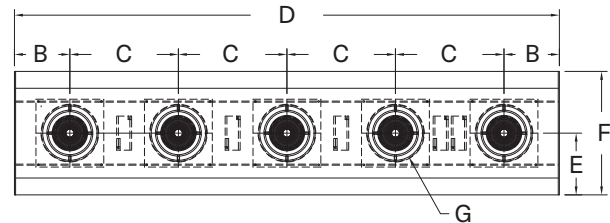
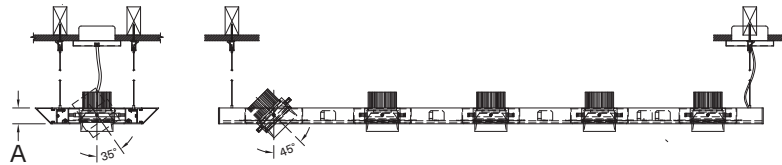
Built to your specifications, enables unbroken fixture lengths up to 10 feet (3 meters). LED module and driver size determines minimum module spacing. Outstanding flexibility and design excellence in a pendant mounted linear configuration for applications where ceilings are currently installed. Pendant mounted with 1/16" (2mm) braided stainless steel cables. Available with flat, asymmetrical, and symmetrical side panels.

### MP347 Pendant Fixture



MP347-SYM-5-LED-930-12-40-x-TI-CM-5'  
Modular Multiples® MP347 pendant fixture, five 30 watt LED modules, symmetrical side profile flanges, black powder coated finish, drivers incorporated, round apertures

[Download CSI drop-in spec template](#)



LAMPS and DIMENSIONS	A	B	C	D	E	F	G
LED-712, LED-714, LED-716, LED-720, LED-920, LED-926, LED-929, LED-932, LED-935	1-3/4" 44mm	6-1/8" 156mm	1' 0" O.C. 305mm	5' 0-1/4" O.D. 1530mm	6-13/16" 173mm	1' 1-5/8" 346mm	Ø6" 152mm

Above measurements shown with 45° of adjustability. Certain driver options may alter housing dimensions. Contact factory for more details.

Modular International, Inc.  
1-412-734-9000  
www.modularinternational.com



REV. 02/20/23

# Modular Multiples®

The Original Multiple Lamp Family of Fixtures

## Linears®

Pendant - New/Old Work



**Configurations:** Custom configurations.

**Housing:** Extruded aluminum profile with a series of internal steel plates – single lengths up to 10 feet (3 meters). Connection hardware available for joining multiple pieces to make longer continuous lengths.

**Finishes:**

- Powder coated - white or black standard.
- Custom colors available.

**Electrical:**

- One internal driver per LED module for multi-circuit wiring.
- Phase, 0-10V, DALI-2, and DMX dimming options available.
- 120/277V available.
- Listed to UL1598 standards.

**Lamping:**

**579e LED Modules**

LED-712-20	LED-920-35
LED-712-30	LED-920-45
LED-712-40	LED-920-60
LED-712-55	LED-920-90
LED-714-20	LED-926-35
LED-714-30	LED-926-45
LED-714-40	LED-926-60
LED-714-55	LED-926-90
LED-716-20	LED-929-35
LED-716-30	LED-929-45
LED-716-40	LED-929-60
LED-716-55	LED-929-90
LED-720-20	LED-932-35
LED-720-30	LED-932-45
LED-720-40	LED-932-60
LED-720-55	LED-932-90
	LED-935-35
	LED-935-45
	LED-935-60
	LED-935-90

**Gen. 5 LED Modules**

LED-716-12
LED-716-22
LED-716-45
LED-930-12
LED-930-22
LED-930-45

**Legacy lamp replacements:**

AR111LED (-DLD)
PAR30LED (-GLD)

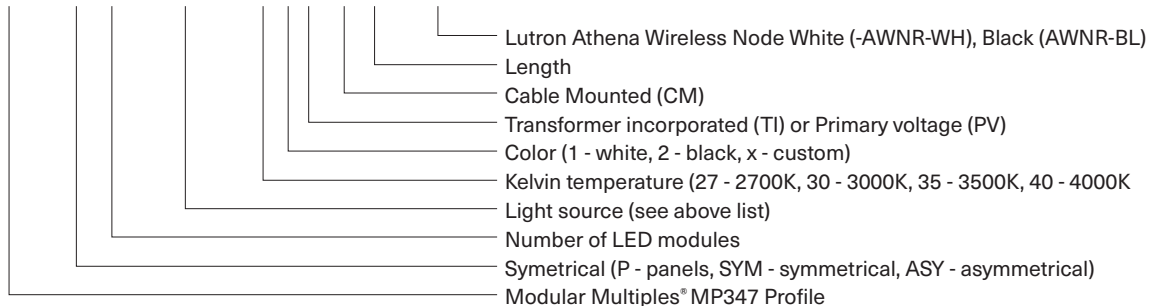
**Mounting:**

- For new or existing construction applications.
- Pendant mounted with 1/16" (2mm) braided stainless steel cables (standard). Can be canopy or stem mounted. Consult factory for details.
- Secure to ceiling structure with the appropriate hardware.

**Options:**

- Patented aluminum ring sets and locking devices.
- Filter rings and shielding cylinders.
- Filter media: up to two 1/8" (3mm) thick filter per module / lamp.
- Lutron Athena Wireless Node (white or black finish available).

**Model # example:** **MP347-SYM-5-LED-930-12-40-x-TI-CM-5'-AWN-R-WH**



[Download CSI drop-in spec template](#)

